



15ERS

Electric Reach Stacker 1.5t

Special design for narrow aisles
and non-standard pallets

FEATURE

Performance:

- The innovative AC system offers strong power, accurate control, excellent performance.
- High strength vertical gearbox, longer working life.
- Low-noise but durable hydraulic unit, high quality cylinder and hoses ensure the reliability of hydraulic system.
- AMP connector and durable electric components greatly reduce malfunctions and breakdowns.
- CJ shape mast channel improves the strength of the whole truck.
- Better heat dissipation system support long hours of operation.



Safety:

- Safe hydraulic system design prevents the mast from falling down abruptly when hydraulic line fails.
- Emergency reverse belly button protects the operator from getting injured.
- Emergency button will cut the power source to avoid an accident.
- Multiple lifting limit protection ensures safety.
- Automatic limit switch lowers the speed when the forks are at height.
- Anti-rolling back brake enable the truck to hold on slopes.
- Dual monitoring power steering.





Operation:

- With the new design of ergonomical tiller head, all buttons can be reached conveniently & comfortably.
- Foldable platform reduces vibration giving the operator more comfort and less fatigue.
- Compact design, flexible and operational.
- When platform is folded, truck can work at low speed in smaller space.
- Side-opening battery design for easy battery replacement in various applications.
- Electric proportional valve equipped as standard feature.
- Electric power steering, smooth & comfortable (EPS) .

Maintenance:

- AC traction motor, maintenance free.
- Hour meter and battery indicator remind the operator of battery charging.
- Easily remove the back cover by only losing two bolts; Access to all key components for inspection, maintenance and replacement.
- Vertical motor makes the inspection & service much more convenient.
- Control system allows easy troubleshooting.
- Low voltage cut off setting protects batteries.

2- Stage Service weight (kg)		
Mast height mm	12ERS	15ERS
2700	1825	1855
3000	1835	1865
3300	1845	1875
3600	1855	1885
4000	1865	1895
4300	1875	1905
3-Stage Mast weight (kg)		
Mast height mm	12ERS	15ERS
3550	2050	2080
4000	2065	2095
4300	2075	2105
4500	2080	2110
4800	2090	2120
5000	2095	2125
5500	2110	2140

2-Stage Mast height (mm)			
Lift height	Lowered mast height	Free lift	Extended mast height
2700	1940	0	3660
3000	2090	0	3960
3300	2240	0	4260
3600	2390	0	4560
4000	2590	0	4960
4300	2740	0	5260
3-Stage Mast height (mm)			
Lift height	Lowered mast height	Free lift	Extended mast height
3550	1800	880	4510
4000	1960	1000	4955
4300	2060	1140	5260
4500	2130	1170	5455
4800	2230	1270	5760
5000	2295	1335	5960
5500	2460	1500	6460

		12ERS		15ERS	
		2-Stage Mast	3-Stage Mast	2-Stage Mast	3-Stage Mast
Overall length (minimum)	I1	2310	2320	2340	2350
Aisle width for pallets 1000x1200 crossways	Ast	2665	2675	2695	2705
Aisle width for pallets 800x1200 lengthways	Ast	2700	2720	2730	2750
Aisle width for pallets 1000x1200 lengthways	Ast	2755	2765	2785	2795
Aisle width for pallets 800x1200 crossways	Ast	2550	2555	2580	2585

12ERS	standard	option	option	option
Capacity (V/Ah)	210	224 (maintenance free battery)	280	360
Battery weight (kg)	190	150	230	300
15ERS	standard	option	option	option
Capacity (V/Ah)	280	210	224 (maintenance free battery)	360
Battery weight (kg)	230	190	150	300



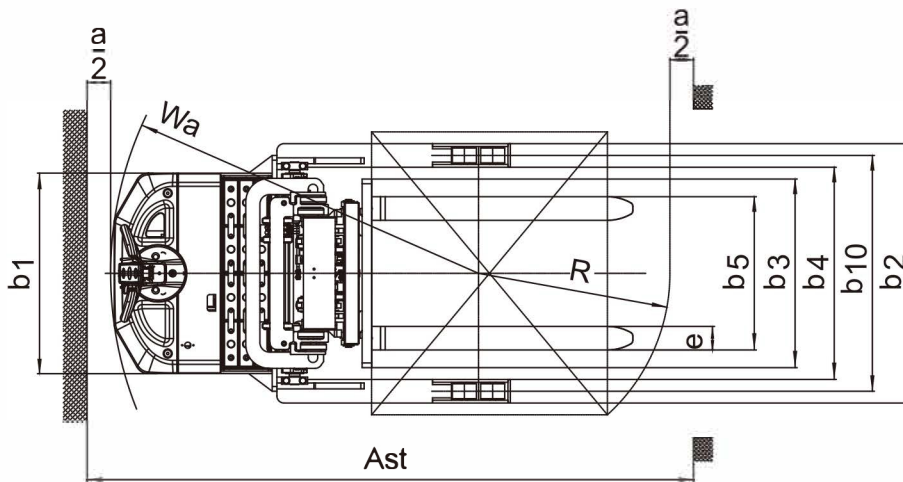
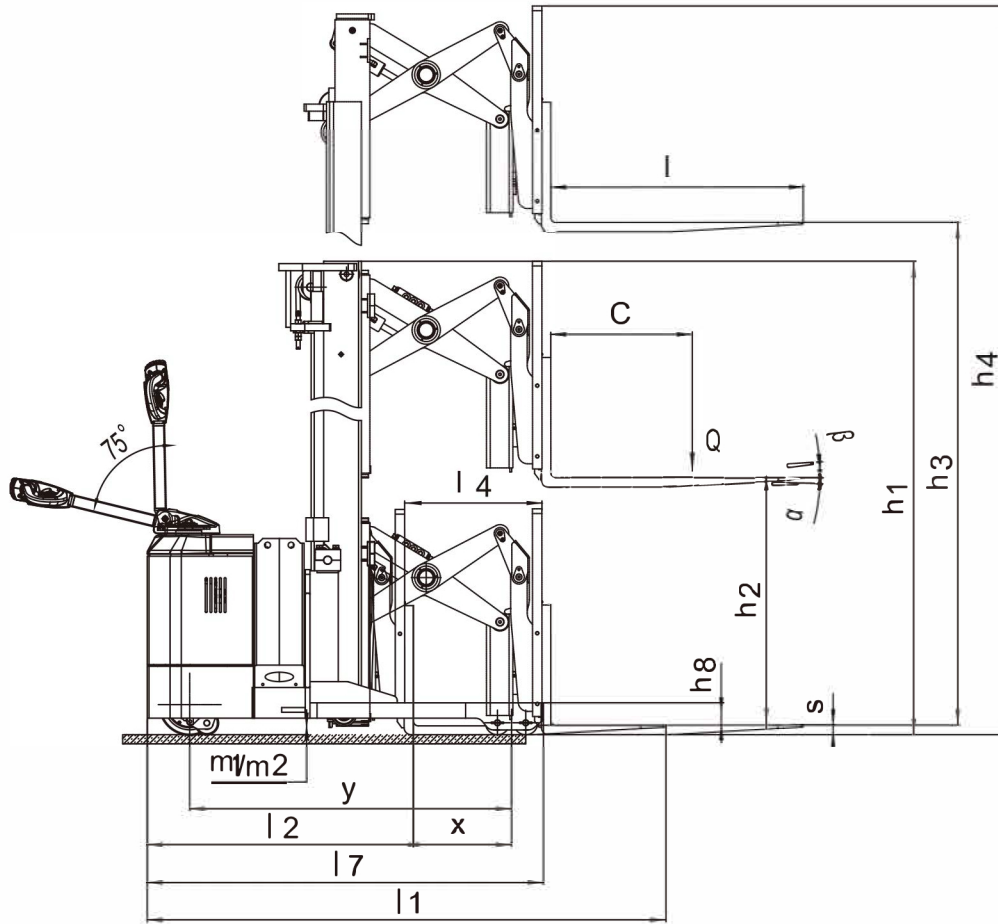
Options

Options	12ERS	15ERS
Driving pedal		¡ 700 ~ 1500
Electric Power steering		¡ 520/600
Battery capacity	210Ah	280Ah
	¡ 224/280/360Ah	¡ 210/224/360Ah
Lateral change battery		
Cold storage	¡	¡
Side shift	¡	¡
Front light and warning light	-	-
Rearview mirror	-	-
Hummer	-	-
Height display	-	-
Camera	-	-
Fire extinguisher	-	-
Front wheel side guard	-	-
Drive-in rack	-	-
Seat switch	-	-
Water auto-filling system	¡	¡

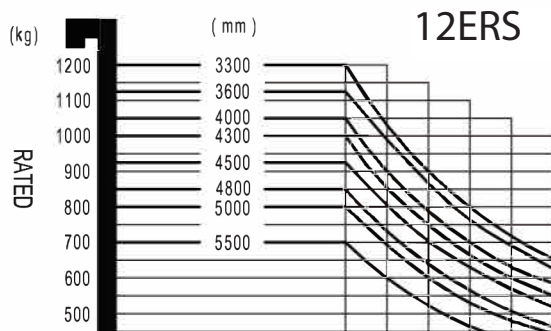
Note: | standard ¡ option - NA

1.2	Model designation			15ERS
1.3	Drive unit			Battery
1.4	Operator type			Standing
1.5	Rated capacity	Q	kg	1.5
1.6	Load center distance	c	mm	600
1.9	Wheelbase	y	mm	1395
Weight				
2.1	Service weight (include battery)		kg	1865
2.2	Axle loading, fork advanced, unladen driving side/loading side			1150/715
2.3	Axle loading, fork retracted, unladen driving side/loading side			1250/615
2.4	Axle loading, fork advanced, laden driving side/loading side		kg	310/3055
2.5	Axle loading, fork retracted, laden driving side/loading side		kg	1075/2290
Types, Chassis				
3.1	Tyre type, driving wheels/loading wheels			polyurethane
3.2	Tyre size, driving wheels (diametre x width)		mm	260 x 105
3.3	Tyre size, loading wheels (diametre x width)		mm	102 x 73
3.4	Tyre size, caster wheels (diametre x width)			100 x 73
3.5	Wheels, number driving, caster/loading (x=drive wheels)		mm	1 x 2/4
3.6	Track width, front, driving side	b ₁₀	mm	0
3.7	Track width, rear, driving side	b ₁₁	mm	1000
Dimensions				
4.1	Tilt of mast/fork carriage forward/backward		mm	2/4
4.2	Height, mast lowered	h ₁	mm	2090
4.3	Free lift (load backrest)	h ₂	mm	0
4.4	Lift height	h ₃	mm	3000
4.5	Height, mast extended	h ₄	mm	3960
4.8	Seat height/standing height	h ₇	mm	150
4.10	Height of wheel arms	h ₈	mm	135
4.19	Overall length (minimum)	l ₁	mm	2340
4.20	Length to face of forks	l ₂	mm	1270
4.21	Overall width	b ₁ /b ₂	mm	850/1100
4.22	Fork dimensions	s/e/l	mm	40/100/1070
4.23	Fork carriage class/type A, B		mm	A
4.24	Fork carriage width	b ₃	mm	800
4.25	Distance between fork-arms	b ₅	mm	200-780
4.26	Distance between wheel arms/loading surfaces	b ₄	mm	900
4.28	Reach distance	l ₄	mm	590
4.31	Ground clearance, laden, below mast	m ₁	mm	70
4.32	The minimum ground clearance of frame	m ₂	mm	70
4.34.1	Aisle width for pallets 1000 x 1200 crossways	Ast	mm	2695
4.34.2	Aisle width for pallets 800 x 1200 lengthways	Ast	mm	2730
4.35	Turning radius	Wa	mm	1690
4.37	Length across wheel arms (exclusive fork)	l ₇	mm	1820
Performance data				
5.1	Travel speed, laden/unladen		km/h	5.5/6
5.2	Lifting speed, laden/unladen		m/ s	0.11/0.14
5.3	Lowering speed, laden/unladen		m/ s	0.24/0.24
5.4	Reaching speed, laden/unladen		m/ s	0.12/0.12
5.8	Max. gradeability, laden/unladen		%	6/10
5.10	Service brake type			Electromagnetic
Electric-engine				
6.1	Drive motor rating S2 60min		kW	3.3
6.2	Lift motor rating at S3 15%		kW	3
6.3	The maximum allowed size battery		mm	815x208x630
6.4	Battery voltage/nominal capacity K5		V/Ah	24/280
6.5	Battery weight		kg	230
Additional data				
8.1	Type of drive unit			AC
10.5	Steering type			Electronic
10.7	Sound pressure level at the driver's ear		dB(A)	74

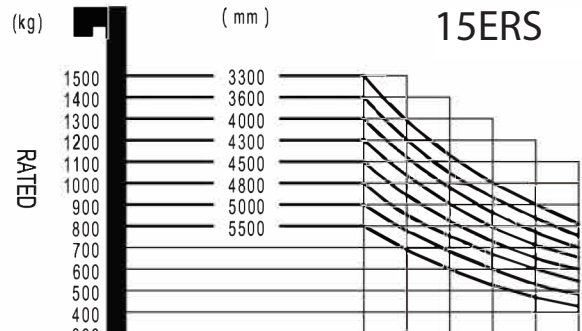
1. The parameters in the table are of the standard model. For more information, please contact us.
2. The parameters are subject to change without notice.



RATED CAPACITIES GRAPH



RATED CAPACITIES GRAPH





Hyundai Tower, 394 Lane Cove Rd,
Macquarie Park NSW 2113
Phone: 1300 363 368
info@hyundai-forklifts.com.au
hyundaimaterialhandling.com.au